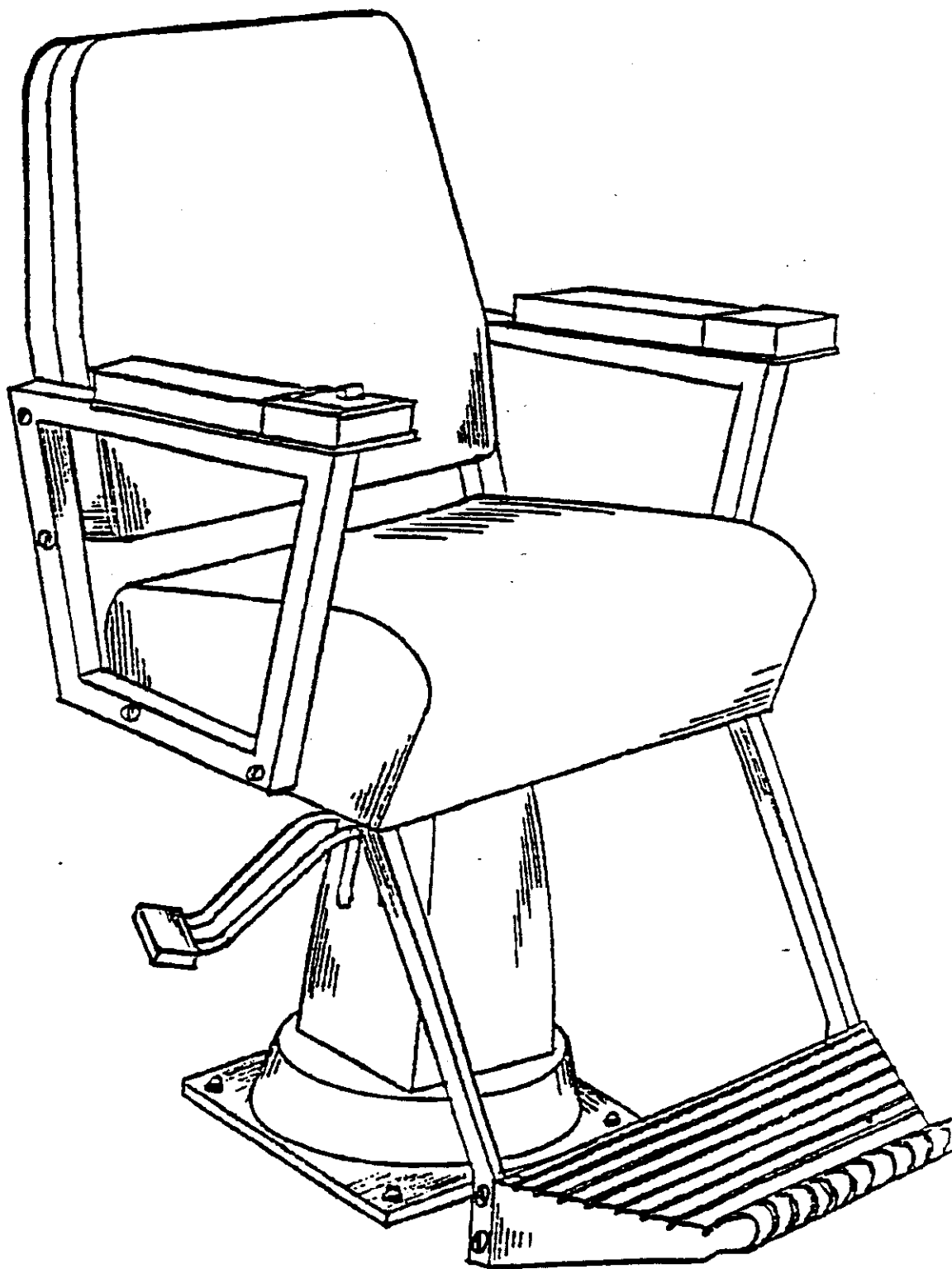


SHIPBOARD



BARBER CHAIR

SPARE PARTS AND INSTALLATION INSTRUCTIONS

BARBER CHAIR

SUBJECT: TURNBULL BARBER CHAIR

478-115

TURNBULL ENTERPRISES INC.
3501 MARMENCO COURT
BALTIMORE, MD 21230-3411
PH# (410) 789-1700
FAX (410) 789-1706

POINT OF CONTACT AT TURNBULL IS MARY.
COST ESTIMATES AS OF 12 NOV 1997

BARBER CHAIR (COMPLETE) P/N 478-115
NSN 2090-00-822-2304
APL 990000134
PRICE \$ 1,558.00 (EST)

BARBER CHAIR BRAKE ASSEMBLY P/N 18223
PRICE \$ 59.00 (EST)
3 WEEK DELIVERY

BARBER CHAIR PEDESTAL COMPLETE WITH HYDRAULIC CYLINDER AND
FOOT PEDAL ASSY.
PRICE \$ 818.00 (EST)

Prepared By:

TURNBULL ENTERPRISES, INC.
3501 MARMENCO CT.
BALTIMORE, MARYLAND 21230
PH. (410) 789-1700 FAX (410) 789-1706

INDEX

<u>I. Scope</u>		<u>Page</u>
1.1	Purpose	1
1.2	Intent	1
<u>II. Parts</u>		
2.1	Parts List	1 & 2
2.2	Tool List	2
<u>III. Disassembly and Installation Instructions</u>		
3.1	Sequence	2
3.1.1	Back Cover (Item 1)	2
3.1.1.1	Disassembly	2
3.1.1.2	Assembly	2
3.1.2	Back Cushion (Item 3)	3
3.1.2.1	Disassembly	3
3.1.2.2	Installation	3
3.1.3	Back Frame (Item 4)	3
3.1.3.1	Disassembly	3
3.1.3.2	Installation	3
3.1.4	Arm Rests (Items 6, 7 * 9)	3
3.1.4.1	Disassembly	3
3.1.4.2	Installation	3
3.1.5	Arm Rest Supports (Item 12)	3
3.1.5.1	Disassembly	3
3.1.5.2	Installation	3
3.1.6	Seat (Item 15)	4
3.1.6.1	Disassembly	4
3.1.6.2	Installation	4
3.1.7	Foot Rest (Item 18)	4
3.1.7.1	Disassembly	4
3.1.7.2	Installation	4
3.1.8	Hydraulic Pump (Item 23)	4
3.1.8.1	Disassembly	4
3.1.8.2	Installation	5
3.1.9	Base (Item 25)	5
3.1.9.1	Disassembly	5
3.1.9.2	Installation	5
<u>IV General</u>		
4.1	Inspection	6
4.2	Painting	6
4.3	Final Inspection	6
<u>Figures</u>		
Figure 1	Barber Chair	
Figure 2	Parts Breakdown	

SPARE PARTS LISTING AND
INSTALLATION INSTRUCTIONS

BARBER CHAIR
Part No. 478-115

I. Scope:

1.1 Purpose

The purpose of this list and instructions is to aid in the selection and installation of spare parts for the Barber Chair, Part No. 478-115.

1.2 Intent

The intent of these parts is to improve the operational, functional and safety characteristics of the Barber Chair. The structural integrity of the chair will also be greatly enhanced with the incorporation of new parts.

II. Parts

2.1 Parts List

The following Parts List contains those parts which are available and considered replaceable components for this chair. Item numbers correspond to those numbers shown on Figure 2, of this Manual.

Items shown in small circles in Figure 2 are individual parts. Those items shown in the larger circles are pre-assembled parts and are supplied as an assembled unit. Those items not in circles are considered standard hardware items and are not normally supplied as spare parts.

PARTS LIST

<u>Item No.</u>	<u>No. Req'd</u>	<u>TEI Part No.</u>	<u>Description</u>
1	1	15102	Back Cover
2	18		Screw Pan Head, Self tapping #6 X 3/8 long
3	1	15103	Back Cushion
4	1	10069	Back Frame
5	4		Screw, Rd. head Machine Cres 1/2-20 X 1-3/4 lg. & L'nut
6	1	15104	Arm Rest Pan - R.H.
7	1	15105	Arm Rest Pan - L.H.
8	8		Screw, truss head machine cres #10-32 X 1/2 lg. & L'washer
9	2	15106	Arm Rest Assembly
10	4		Screw, truss head machine cres 1/2-20 X 1-3/4 & L'Nut
11	1	119	Ash Tray & Escutcheon
12	2	15107	Arm Support
13	4		Screw, Rd. Head Machine cres 1/2-20 X 3 1/2 w/L'nut
14	4	15110	Plate Assembly
15	1	15108	Seat Assembly
16	4		Screw, Hex Hd. Machine cres 1/2-20 X 1 lg. & L'nut

<u>Item No.</u>	<u>No. Req'd</u>	<u>TEI Part No.</u>	<u>Description</u>
17	2	10071	Bar-Foot Rest
18	1	01134	Foot Rest
19	4		Screw truss head machine cre
20	1		1/2-20 X 1 1/2 lg. & L'nut
21	1		Screw Hex Head Machine-cad.p
22	4	15109	1/2-13 X 1 lg. & flat washer
			Cover assembly
			Screw Rd. hd. machine cres
* 23	1	Model 5353	1/2-20 X 3/4 lg & L'washer
24	3		Pump assembly w/foot pedal
25	1		Screw hex hd machine cad plt
26	4	01034	5/16-18 X 2" lg & L'nut
			Base
			Nut, acorn cad plt - 3/8-16
27	4		& Micarta Washer
			Deck Stud (Screw hex head mac
			cad plt 3/8-16 X 1-3/4 lg)

* Pump Assembly include pedal, pedal bars, pump and locking set screws.

2.2 Tool List

No special tools are required for replacement of parts on the Barber Chair. Standard tools (drill motor, non-metric wrenches, screwdrivers, etc.) are all that is required for removal and assembly of chair items.

III. Disassembly and Installation Instructions

3.1 Sequence

This portion of the manual specifies the sequence of disassembly and assembly of parts pertaining to the Barber Chair. Efforts have been made to correlate the sequences with operations starting at the top of the chair and working down as well as numerically beginning with Item 1. Figure 2 should be referred to for pictorial as well as numerical verification of the parts described in the following paragraphs.

To ensure that parts are properly installed, it is mandatory that these instructions are read and fully understood before proceeding.

3.1.1 Back Cover (Item 1)

3.1.1.1 Removal

The back cover is attached to the back frame (Item 4) with snap type buttons which form parts of the back cover. To remove the back cover, pry back off using a flat screw driver working your way around the periphery. Care should be used not to cause burrs on the frame or to cause a permanent bend in the cover.

3.1.1.2 Installation Align snap buttons with holes in frame and press buttons into holes.

3.1.2 Back Cushions (Item 3)

3.1.2.1 Removal To remove the back cushion, first remove the back cover as described in Paragraph 3.1.1.1. Remove the screws (Item 2) which secure the back cushion to the back frame (Item 4). Remove back cushion. (Note: some back cushions are secured with blind rivets. When replacing back cushion, replace rivets with pan head self-tapping screws #6 X 3/8 long.)

3.1.2.2 Installation New back cushions are supplied undrilled. Therefore, screw holes must be drilled into the back pan of the cushions. Set new back cushion into back frame (Item 4) and spot the screw locations onto the back pan. Remove back cushion and at spotted locations, drill holes using a 7/64 (.1093) diameter bit. Care must be used that the drill bit does not protrude thru the back cushion cover. Install attaching hardware (Item 2) and reinstall back cover as described in Paragraph 3.1.1.2.

3.1.3 Back Frame (Item 4)

3.1.3.1 Removal Remove back cover (Item 1) and back cushion (Item 3) as described in previous paragraphs.

Remove hardware (Item 5) from both arm rest supports (Item 12) and then remove back frame.

3.1.3.2 Installation Locate back frame between arm rest supports with the longest flange on the frame on the seat side and install attaching hardware (Item 5).

Reinstall back cover (Item 1) as described in Paragraph 3.1.1.2 and cushion (Item 3) as described in Para. 3.1.2.2.

3.1.4 Arm Rests (Items 6, 7 & 9)

3.1.4.1 Removal To remove either arm rest, proceed as follows:
Remove (4) four screws (Item 8) from the underside of the arm rest pans (Items 6 or 7).
Remove arm rest.

To remove arm rest pans, remove (2) two screws (Item 10). Then remove pans.

3.1.4.2 Installation To replace arm rest pans (Items 6 or 7), align pan with holes in arm rest support, boxed end forward. Install hardware (Item 10).

Locate arm rests (Item 9) onto arm rest pan and install hardware (Item 8).

3.1.5 Arm Rest Support (Item 12)

3.1.5.1 Removal Remove back frame as described in Paragraph 3.1.3.1.

Remove arm rests as described in Paragraph 3.1.4.1.

Remove hardware (Item 13) from either side of seat. Removal of this hardware also disassemble foot rest support bars (Item 17).

Remove arm rest supports (Item 12)

3.1.5.2 Installation Align arm rest support lower holes with those locations in seat. Note that the upright tube with holes thru it will be at the rear of the seat.

Install hardware (Item 13) and foot rest bar (Item 17).

Reinstall arm rest and back as described in previous paragraphs.

3.1.6 Seat (Item 15)

3.1.6.1 Removal Remove back frame and arm rest supports as previously described.

Remove hardware (Item 16).

Remove seat (Item 15).

Complete seat assembly (seat, back, arm rest, etc.) can be removed as a unit by removing hardware (Item 16).

3.1.6.2 Installation Locate seat on hydraulic pump square plate and install hardware (Item 16).

Reinstall all other items as previously described.

3.1.7 Foot Rest (Item 18)

3.1.7.1 Removal To remove foot rest (Item 18) remove hardware (Item 19) from both sides of foot rest.

3.1.7.2 Installation Align holes in foot rest support bars (Item 17) with those in the foot rest (Item 18) and install hardware (ITEM 19).

3.1.8 Hydraulic Pump (Item 23)

3.1.8.1 Removal The hydraulic pump (Item 23) is secured to the base (Item 25) and to the seat plate (Item 14) and is enclosed by the cover (Item 21).

To remove the hydraulic pump proceed as follows.

Lower seat to its lowest position.

Remove seat assembly by removing hardware (Item 16) from pump square plate.

Remove square plate by removing the hardware (Item 20). Tap the underside of the square plate upward as the plate is seated on the pump's tapered shaft.

Remove base from deck by removing acorn nuts (Item 26) from deck studs (Item 27).

Loosen set screws on both sides of foot pedal and remove foot pedal.

Lay base/cover assembly on its side and remove hardware (Item 22) 4 places.

With pump in its lowest position and the foot pedal support bars in the up position, lift cover (Item 21) up and over top of pump. If interference is encountered, tap on bottom flange of cover with rubber mallet.

Remove hardware (Item 24) three places.

3.1.8.2 Installation Align hydraulic pump mounting holes (3) with holes in base (Item 25). Install hardware (Item 24).

With foot pedal removed from pump; and pedal bars installed, pump in low position and foot pedal bars in raised position slide cover (Item 21) over pump. Slide foot pedal onto foot pedal bars and secure by tightening set screws on both sides of pedals.

Secure cover to base by installing hardware (Item 22).

Set pump square plate onto pump top (tapered side down). Install bolt and washer (Item 20).

Secure base to deck studs and install washers and acorn nuts (Item 26).

Align seat mounting holes in Item 14 with holes in pump square plate and secure with hardware (Item 16).

3.1.9 Base (Item 25)

3.1.9.1 Removal To remove the base (Item 25), remove acorn nuts (Item 26) from deck studs.

Raise chair to its highest position.

Lay chair on its side and remove cover attaching hardware (Item 22).

Lift cover from base until pump attaching hardware (Item 24) is accessible. Remove hardware and base.

3.1.9.2 Installation With pump in its raised position, set onto base and align pump mounting holes with holes in base.

Secure pump to base with hardware (Item 24).

Secure cover to base with hardware (Item 22).

Set chair onto deck studs and secure with washers and acorn nuts.

IV. General

4.1 Inspection

A complete inspection of all parts should be conducted during any replacement of items on the Barber Chair. Any parts found to be worn, damaged or broken should be replaced.

4.2 Painting

To reduce corrosion, all bare metal surfaces should have a coat of matching paint applied prior to reassembly.

4.3 Final Inspection

Prior to signing off any installation as complete, make a last check to ensure all hardware is secure. Operate all functions of the chair to verify proper installation and that no binding or galling occurs.

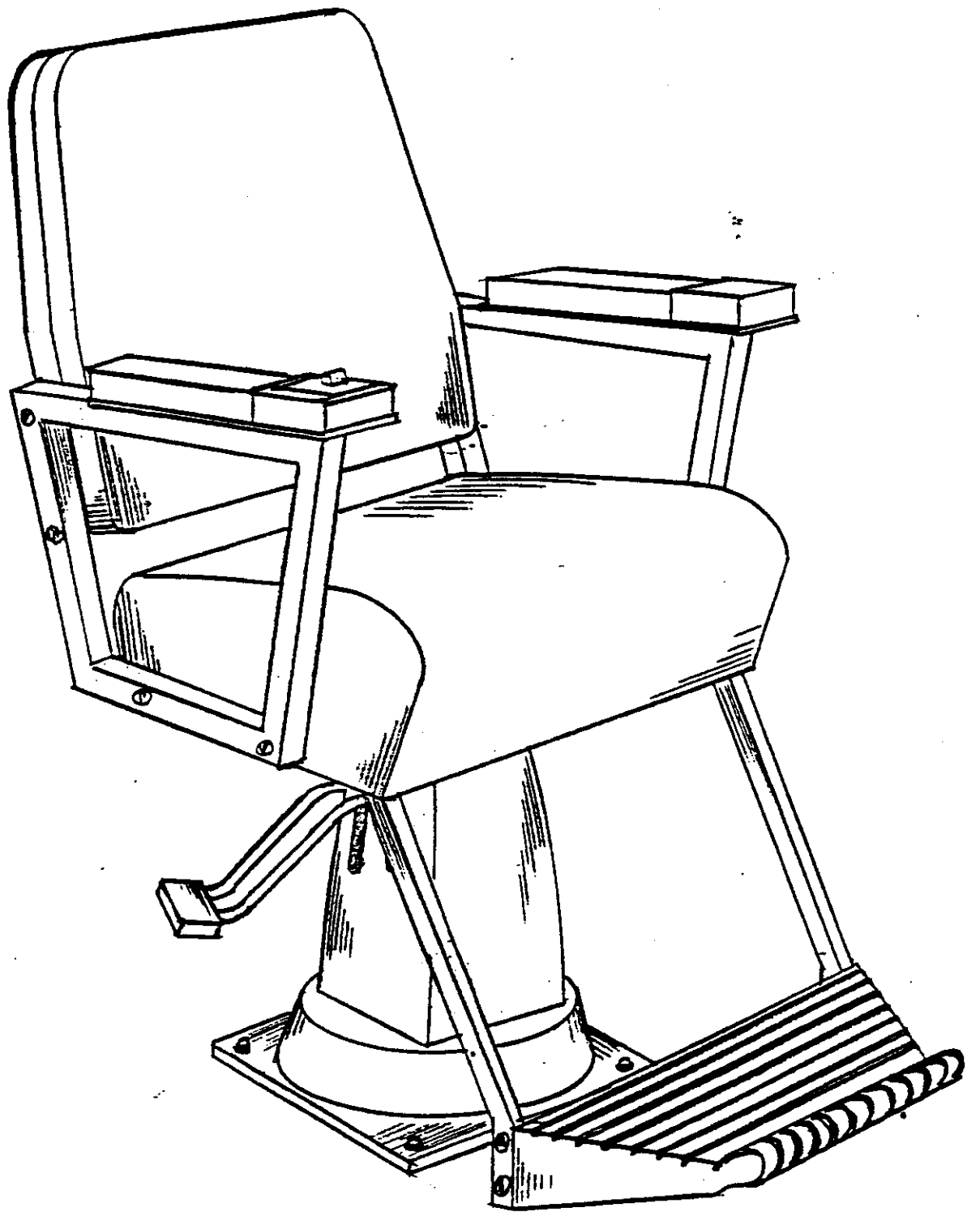
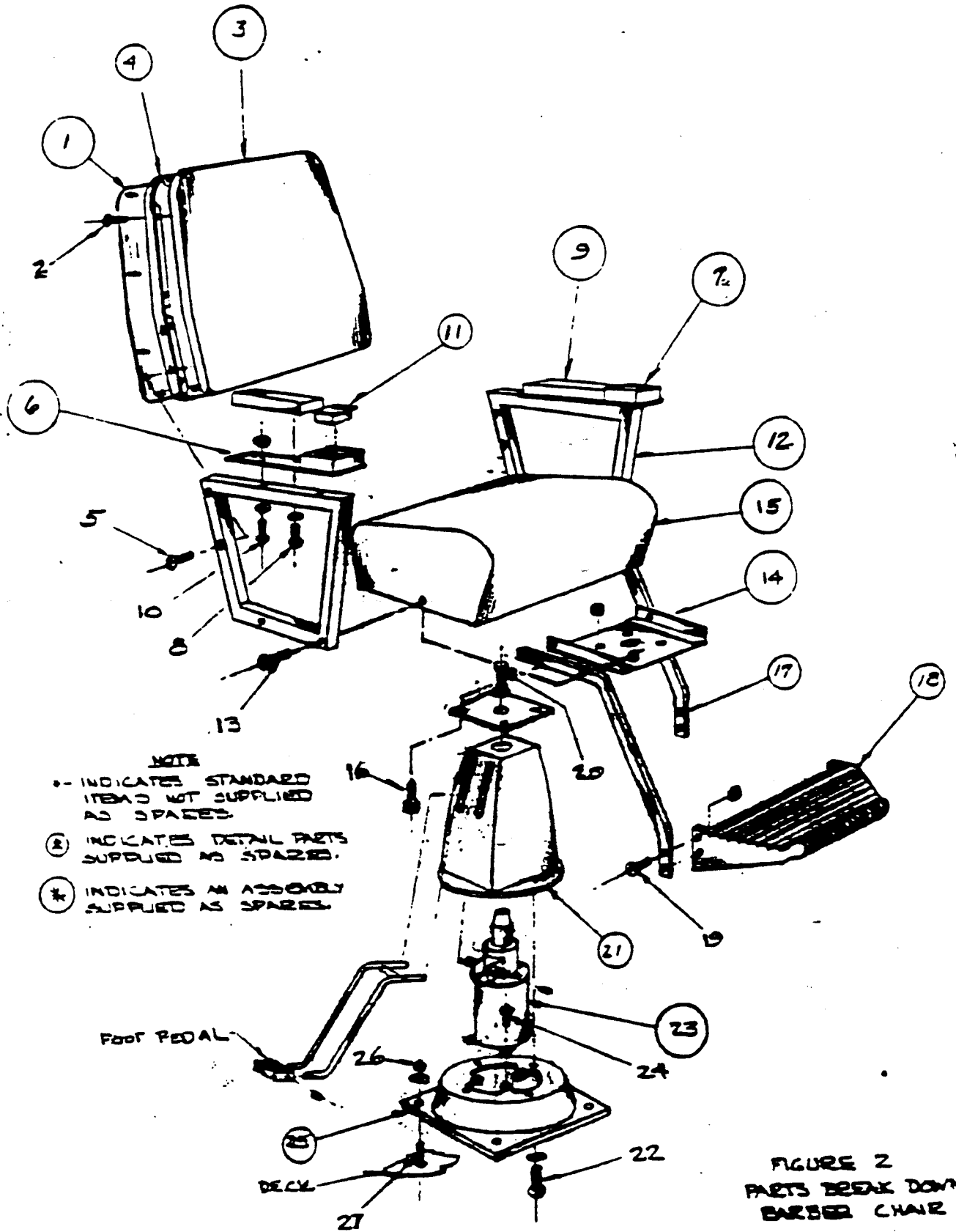


FIGURE 1
BARBER CHAIR



Chair, Barber (Lightweight)

DESCRIPTION

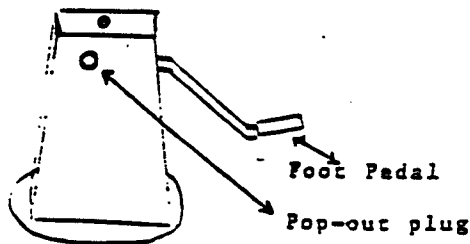
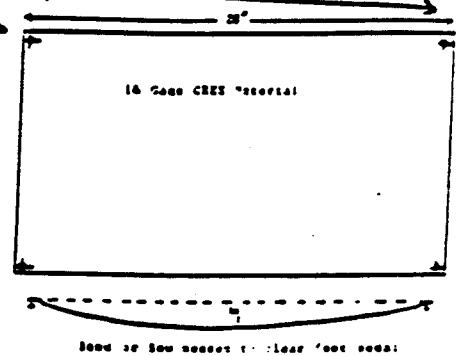
Mail Type Drawing Number 804-4651744

Accessories and dimensions	Material From Number	Size (inches)			Weight (Pounds)
		Width	Depth	Height	
147080 00-822-2304*		25-7/8	48-3/4	44-51-1/2	111
Seat		21	20	25-3/4-22 3/4	
Turning circle (inches)			30		



Note

Discrepancy- When turning the chair, the foot pedal strikes the customer's ankle or Achilles Tendon, which can cause a serious injury. Recommended solution be



Adjusting the brake pedal

1. Using screwdriver pop out plug on left side of chair base.
2. Raise foot pedal all the way up and hold it up.
3. Using 9/16 socket and small extension turn adjusting nut clockwise, until chair will not spin around. Don't adjust too tight or the chair will not turn with the pedal down.

This unofficial monthly bulletin is published and distributed by the Fleet Assistance Team San Diego, for information purpose only and in no way supersedes or changes current Official Publications, Instructions or Notices.